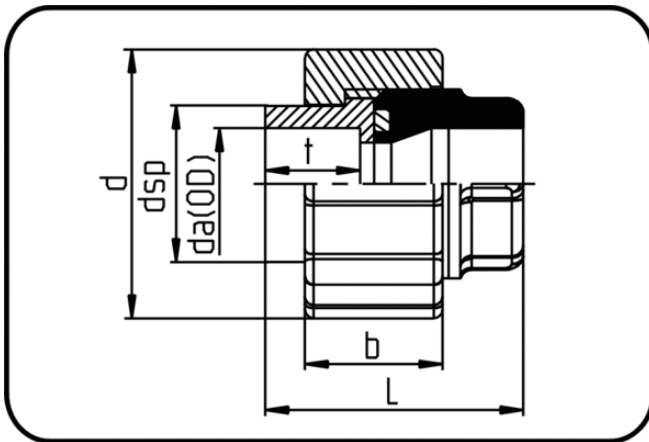


Fittings for Socket Welding



Code: 024.11

- Union Type 24
- FPM-sealing
- injection moulded
- **Socket-welding**
- PPR grey

| Dimension | Code | Detail | da(OD) mm | L mm | d mm | b mm | dsp mm | t mm | Weight |
|-----------|----------------|-----------------|--------------|---------|---------|---------|-----------|---------|--------|
| 20 | 11.024.1120.07 | 20 - MOP 10 bar | 20 | 45 | 47 | 24 | 27,3 | 16 | 0.04 |
| 25 | 11.024.1125.07 | 25 - MOP 10 bar | 25 | 49 | 57 | 26 | 35,7 | 18 | 0.06 |
| 32 | 11.024.1132.07 | 32 - MOP 10 bar | 32 | 53 | 64 | 30 | 41,3 | 20 | 0.08 |
| 40 | 11.024.1140.07 | 40 - MOP 10 bar | 40 | 59 | 78 | 31 | 52,8 | 22 | 0.13 |
| 50 | 11.024.1150.07 | 50 - MOP 10 bar | 50 | 67 | 89 | 35 | 58,6 | 24,5 | 0.18 |
| 63 | 11.024.1163.07 | 63 - MOP 10 bar | 63 | 79 | 109 | 39 | 73,6 | 29 | 0.30 |