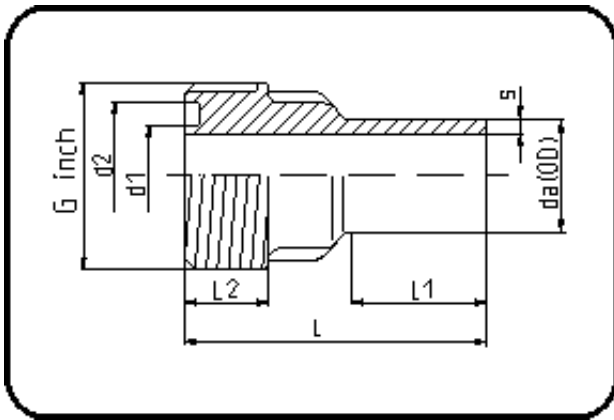


Fittings with short Spigot



Code: 024.3

- Union bush
- spare part Union 024
- injection moulded
- **Butt-welding**
- **PPR grey**

Dimension	Code	Detail	Weight
32	11.024.3032.11	32X2,9 SDR11 ISO S-5	0.03

	Unit	Nominale	Tol+	Tol-
da(OD)	mm	32	0.30	0.00
L	mm	60	1.50	1.50
L1	mm	26	1.50	1.50
G	inch	1,5	0.00	0.00
L2	mm	17	1.50	1.50
s	mm	2,9	0.40	0.00
d1	mm	30,4	0.30	0.30
d2	mm	39,3	0.30	0.30