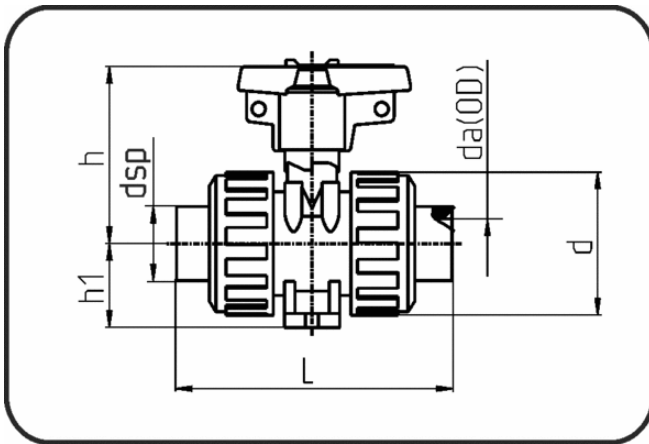


## Valves



Code: 363.13

- Ball Valve M1
- FPM-sealing
- injection moulded
- Socket-welding
- PE 100 blue

Dimension	Code	Detail	da(OD) mm	L mm	d mm	h mm	b mm	Weight
20	22.363.1320.07	20 - MOP 16 bar	20	98,5	58	74,5	40	0.18
25	22.363.1325.07	25 - MOP 16 bar	25	113	68,5	83	51,5	0.27
32	22.363.1332.07	32 - MOP 16 bar	32	123	75,5	85,5	51,5	0.30
40	22.363.1340.07	40 - MOP 16 bar	40	141	92	104,5	64	0.50
50	22.363.1350.07	50 - MOP 16 bar	50	165	108	113	73	0.83
63	22.363.1363.07	63 - MOP 16 bar	63	194,5	127,5	113,5	85	1.26