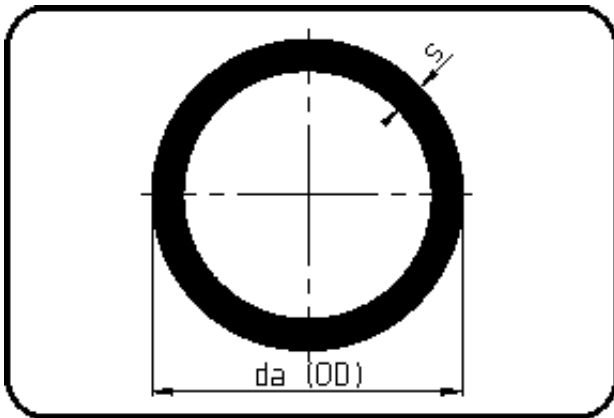


Pipes



Code: 12.705

- Pipe 5m
- extruded
- PPH grey

Dimension	Code	Detail	Weight
500	12.705.0500.26	500X19,1 SDR26 ISO S-12,5	27.60

	Unit	Nominale	Tol+	Tol-
da(OD)	mm	500	4.50	0.00
s	mm	19,1	2.10	0.00