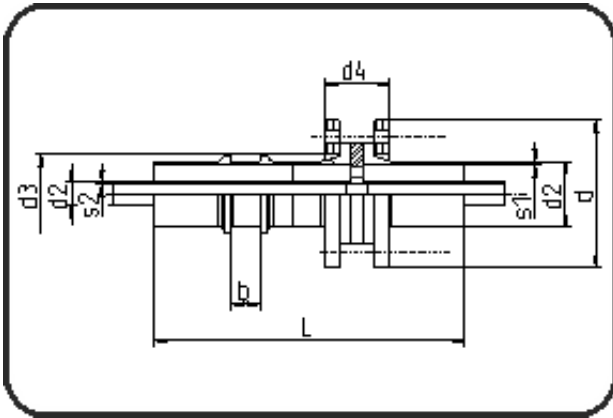


PE/PVDF Staggered Welding



Code: 249

- Dog Bone Type III, Collar
- with cut out
- machined
- Staggered + E-socket-welding
- HDPE/PVDF

Dimension	Code	Detail	Weight
125/63	84.249.1263.72	125/63 SDR17/21	4.79

	Unit	Nominale	Tol+	Tol-
L	mm	501	3.00	3.00
SDR2		21	0.00	0.00
SDR1		17	0.00	0.00
s2	mm	3	0.50	0.00
s1	mm	7,4	1.00	0.00
b	mm	60	63.00	60.00
numb	pc	8	0.00	0.00
d	mm	220	1.50	1.50
d1	mm	125	1.80	0.00
d3	mm	135	1.50	0.00
d2	mm	63	0.90	0.00
K	mm	M16	0.00	0.00
d4	mm	96	0.00	0.00