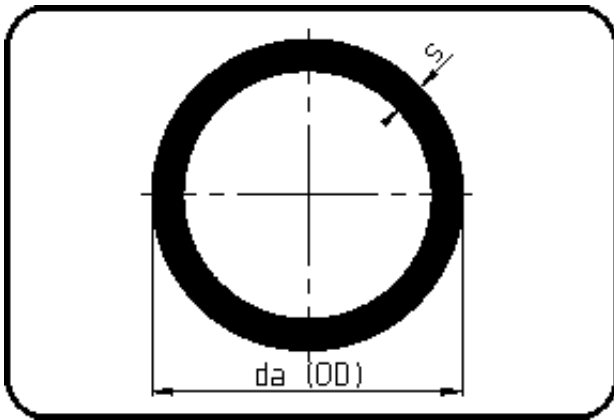


Pipes



Code: 705

- Pipe 5m
- flame retardant
- extruded
- PPs grey

Dim. 140 - 160 SDR11 Discontinued products.

Dimension	Code	Detail	Weight
110	17.705.0110.41	110X2,7 SDR41 ISO S-20	0.92

	Unit	Nominale	Tol+	Tol-
da(OD)	mm	110	1.00	0.00
s	mm	2,7	0.50	0.00