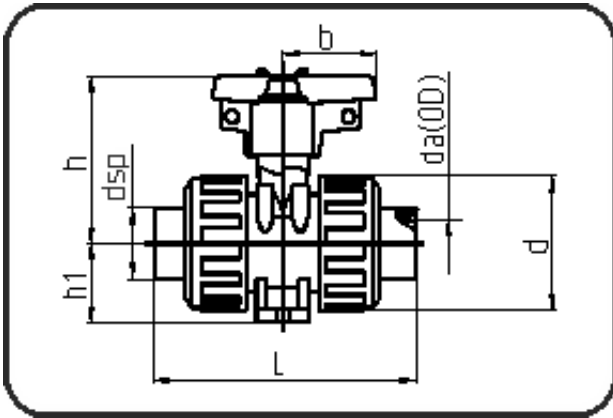


Valves



Code: 363.13

- Ball Valve M1
- FPM-sealing
- injection moulded
- **Socket-welding**
- PVDF natural

Dimension	Code	Detail	Weight
75	30.363.1375.21	75 - MOP 16 bar	1.89

	Unit	Nominale	Tol+	Tol-
da(OD)	mm	75	0.00	0.00
L	mm	231	1.50	1.50
h1	mm	85	1.00	1.00
b	mm	110	0.75	0.75
dsp	mm	86	1.00	1.00
d	mm	157,5	0.75	0.75
t	mm	35	0.75	0.75
h	mm	151,5	0.75	0.75