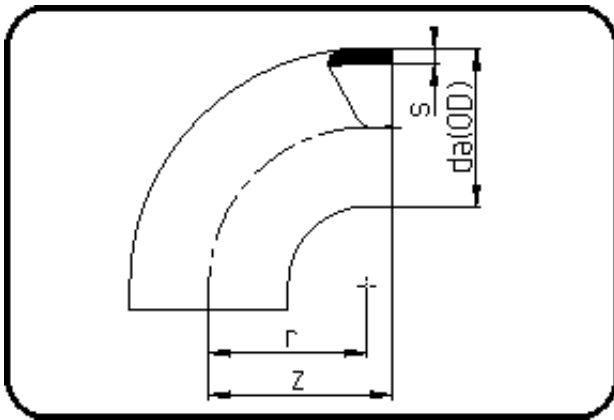


Fittings with short Spigot



Code: 001

- Bend 90°
- short spigot
- flame retardant & el-conduct.
- injection moulded
- **Butt-welding**
- **PPs-el black**

| Dimension | Code | Detail | Weight |
|-----------|----------------|-----------------------|--------|
| 50 | 19.001.0050.11 | 50X4,6 SDR11 MOP<6bar | 0.09 |

| | Unit | Nominale | Tol+ | Tol- |
|--------|------|----------|------|------|
| da(OD) | mm | 50 | 0.50 | 0.00 |
| r | mm | 50 | 0.00 | 0.00 |
| s | mm | 4,6 | 0.60 | 0.00 |
| z | mm | 58 | 3.00 | 3.00 |