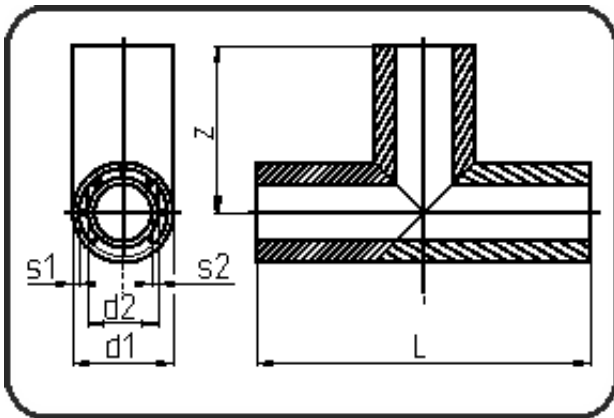


## PE 100-RC Poly-Flo



Code: 214

- Poly-Flo Tee
- derating factor 0.6
- segmented
- **simultaneous + cascade welding**
- PE 100-RC black

Dimension	Code	Detail	Weight
225/160	70.214.2216.71	225/160 SDR17/11	9.50

	Unit	Nominale	Tol+	Tol-
L	mm	500	6.00	6.00
L1	mm	10	1.00	1.00
d1	mm	225	2.10	0.00
s2	mm	14,6	1.60	0.00
d2	mm	160	1.50	0.00
s1	mm	13,4	1.50	0.00
z	mm	250	6.00	6.00