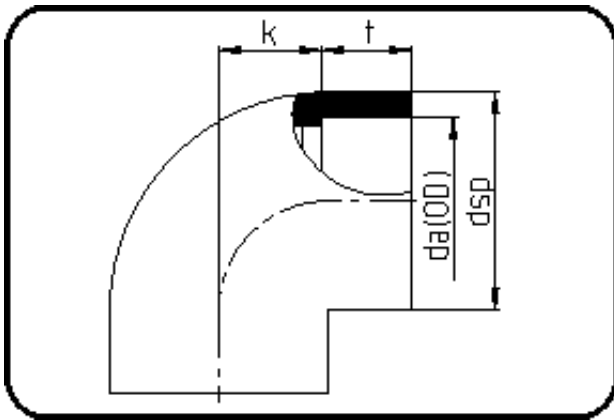


Fittings



Code: 051

- Elbow 90°
- injection moulded
- **Socket-welding**
- PE 100 blue

Dimension	Code	Detail	Weight
20	22.051.0020.07	20 - MOP 16 bar	0.02

	Unit	Nominale	Tol+	Tol-
da(OD)	mm	20	0.00	0.00
dsp	mm	29,3	0.75	0.75
t	mm	16	0.75	0.75
p	bar	16	0.00	0.00
k	mm	14	0.75	0.75