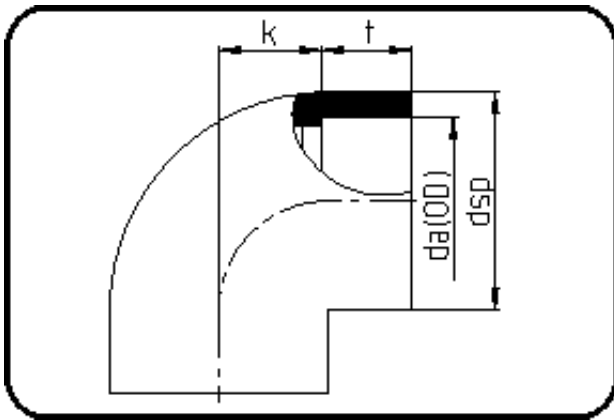


## Fittings



Code: 051

- Elbow 90°
- injection moulded
- Socket-welding
- PE 100 blue

Dimension	Code	Detail	Weight
90	22.051.0090.07	90 - MOP 16 bar	0.51

	Unit	Nominale	Tol+	Tol-
da(OD)	mm	90	0.00	0.00
dsp	mm	110	0.75	0.75
t	mm	36,5	1.50	1.50
p	bar	16	0.00	0.00
k	mm	46	0.75	0.75