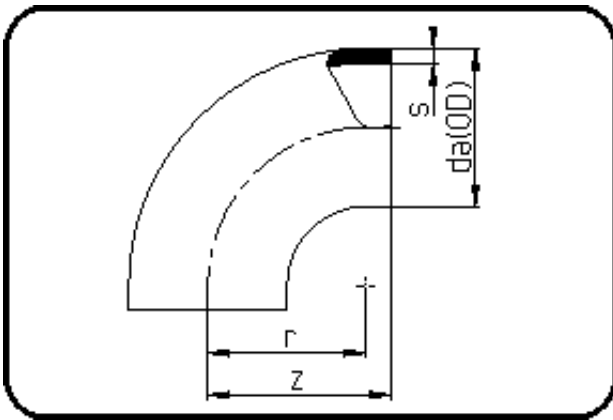


Fittings with short Spigot



Code: 001

- Bend 90°
- short spigot
- electrically conductive
- injection moulded
- **Butt-welding**
- **PE 100-el black**

Dimension	Code	Detail	Weight
225	28.001.0225.11	225X20,5 SDR11 ISO S-5	5.84

	Unit	Nominale	Tol+	Tol-
da(OD)	mm	225	2.10	0.00
r	mm	225	0.00	0.00
s	mm	20,5	2.20	0.00
z	mm	243	4.50	4.50