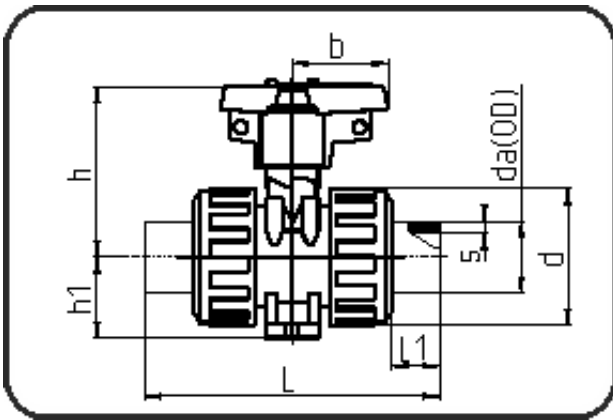


Valves



Code: 363.15

- Ball Valve M1
- FPM-sealing
- injection moulded
- **Butt + IR-welding**
- PP grey

Dimension	Code	Detail	Weight
90	11.363.1590.11	90 - SDR11 ISO S-5	4.42

	Unit	Nominale	Tol+	Tol-
da(OD)	mm	90	0.90	0.00
L	mm	292	1.50	1.50
L1	mm	36	0.75	0.75
h1	mm	100	0.75	0.75
b	mm	132	0.00	0.00
DN	mm	80	0.00	0.00
s	mm	8,2	1.00	0.00
d	mm	196,5	0.75	0.75
p	bar	10	0.00	0.00
h	mm	167	0.75	0.75