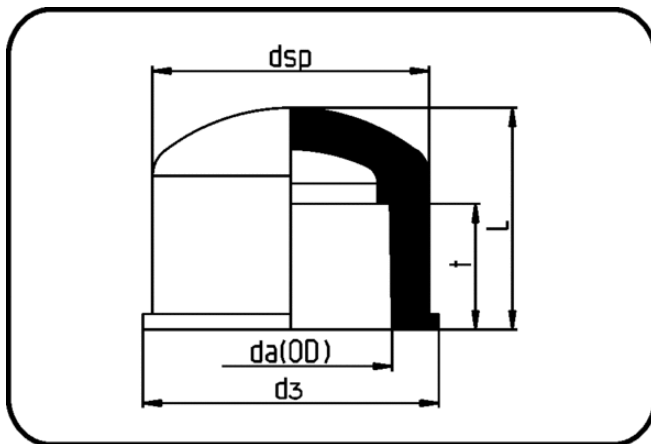


Fittings for Socket Welding



Code: 054

- End Cap
- injection moulded
- **Socket-welding**
- PVDF natural

| Dimension | Code | Detail | da(OD) mm | L mm | d3 mm | dsp mm | t mm | p bar | Weight |
|-----------|----------------|------------------|--------------|---------|----------|-----------|---------|----------|--------|
| 20 | 30.054.0020.07 | 20 - MOP 20 bar | 20 | 27 | 32 | 29 | 15,5 | 20 | 0.02 |
| 25 | 30.054.0025.07 | 25 - MOP 20 bar | 25 | 30 | 37 | 35 | 17,5 | 20 | 0.03 |
| 32 | 30.054.0032.07 | 32 - MOP 20 bar | 32 | 35 | 46 | 43 | 19,5 | 20 | 0.05 |
| 40 | 30.054.0040.07 | 40 - MOP 20 bar | 40 | 39 | 57 | 52 | 22,5 | 20 | 0.07 |
| 50 | 30.054.0050.07 | 50 - MOP 20 bar | 50 | 49 | 69 | 64 | 24 | 20 | 0.13 |
| 63 | 30.054.0063.07 | 63 - MOP 20 bar | 63 | 59 | 86 | 81 | 30 | 20 | 0.24 |
| 75 | 30.054.0075.07 | 75 - MOP 20 bar | 75 | 66 | 97 | 92 | 33,5 | 20 | 0.31 |
| 90 | 30.054.0090.07 | 90 - MOP 20 bar | 90 | 77 | 119 | 113 | 36,5 | 20 | 0.53 |
| 110 | 30.054.0110.07 | 110 - MOP 20 bar | 110 | 92 | 139 | 133 | 42,5 | 20 | 0.81 |