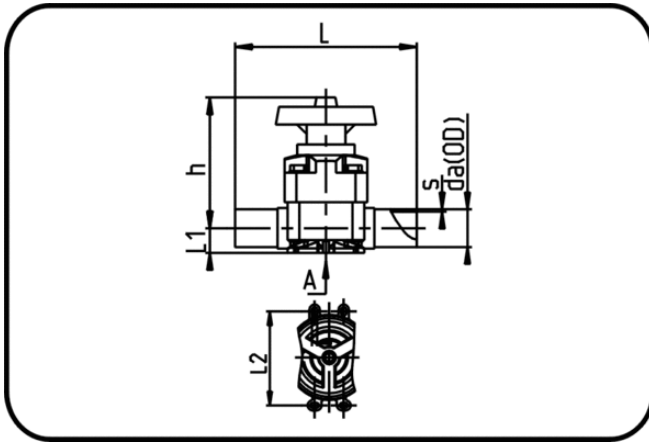


Valves



Code: 342.10

- Diaphragm Valve
- manually controlled
- EPDM/PTFE diaphragm
- Butt + IR + HPF-welding
- PVDF UHP natural

Dimension	Code	Detail	da(OD) mm	s mm	L mm	L2 mm	h mm	L1 mm	Weight
20	35.342.1020.21	20 - SDR21 MOP 10 bar	20	1,9	133	24,5	100	16,5	0.50
25	35.342.1025.21	25 - SDR21 MOP 10 bar	25	1,9	144	24,5	100	16,5	0.50
32	35.342.1032.21	32 - SDR21 MOP 10 bar	32	2,4	154	24,5	107	20,5	0.72
40	35.342.1040.21	40 - SDR21 MOP 10 bar	40	2,4	193	44	144	25,5	1.58
50	35.342.1050.21	50 - SDR21 MOP 10 bar	50	3	194	44	144	32	1.63
63	35.342.1063.21	63 - SDR21 MOP 10 bar	63	3	224	44	170	38,5	2.51
75	35.342.1075.21	75 - SDR21 MOP 10 bar	75	3,6	284	230	254	25	5.78
90	35.342.1090.21	90 - SDR21 MOP 10 bar	90	4,3	310	230	254	25	5.80
110	35.342.1011.21	110 - SDR21 MOP 10 bar	110	5,3	340	280	320	20	10.74