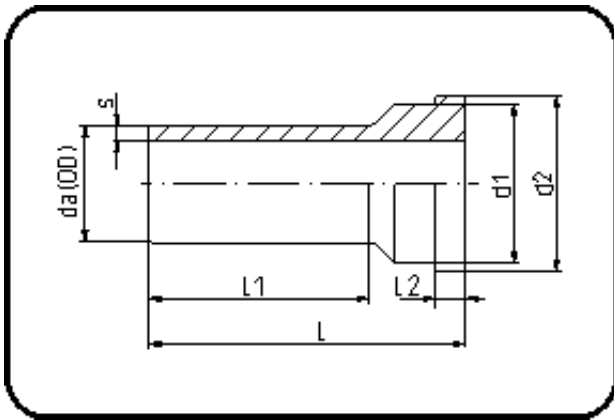


Fittings with short Spigot



Code: 024.2

- Union end
- spare part Union 024
- injection moulded
- **Butt-welding**
- **PPR grey**

Dimension	Code	Detail	Weight
90	11.024.2090.11	90X8,2 SDR11 ISO S-5	0.15

	Unit	Nominale	Tol+	Tol-
da(OD)	mm	90	0.90	0.00
L	mm	66,5	1.00	1.00
L1	mm	57	1.00	1.00
L2	mm	9	0.40	0.00
s	mm	8,2	1.00	0.00
d1	mm	90	0.70	0.00
d2	mm	101	0.00	0.20