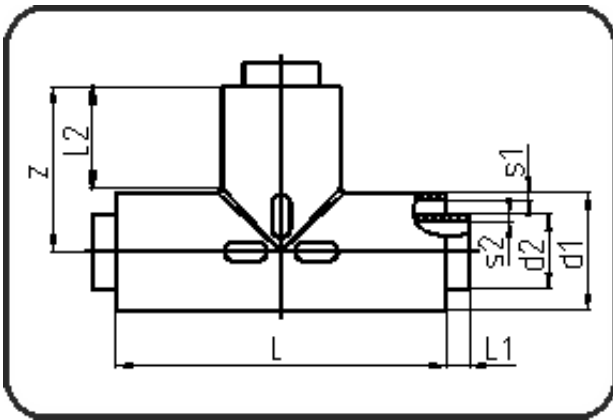


## PE 100-RC Poly-Flo



Code: 192

- Poly-Flo Tee
- injection moulded
- **simultaneous + cascade welding**
- PE 100-RC black

Dimension	Code	Detail	Weight
90/63	70.192.9063.71	90/63 SDR17/11	0.78

	Unit	Nominale	Tol+	Tol-
L	mm	200	5.00	5.00
L1	mm	10	1.00	1.00
L2	mm	53	2.00	2.00
d1	mm	90	0.90	0.00
s2	mm	5,8	0.70	0.00
d2	mm	63	0.60	0.00
s1	mm	5,4	0.70	0.00
z	mm	100	4.00	4.00