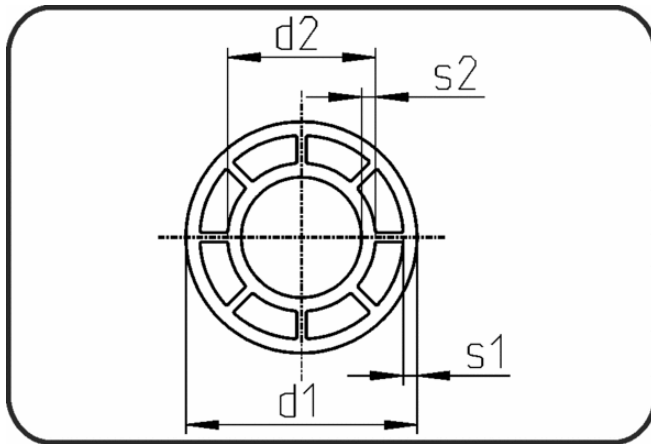


PE 100-RC Poly-Flo



Code: 785.1

- Poly-Flo Pipe 5m (16.4')
- extruded
- **simultaneous + cascade welding**
- PE 100-RC black

Dimension	Code	Detail	s1 mm	s2 mm	d1 mm	d2 mm	Weight
50/32	70.785.5032.71	50/32 SDR17/11	3	3	50	32	0.83
90/63	70.785.9063.71	90/63 SDR17/11	5,4	5,8	90	63	2.65
160/110	70.785.1611.71	160/110 SDR17/11	9,5	10	160	110	7.93
160/110	70.785.1611.37	160/110 SDR33/17	4,9	6,6	160	110	4.69
225/160	70.785.2216.37	225/160 SDR33/17	6,9	9,5	225	160	9.40
225/160	70.785.2216.71	225/160 SDR17/11	13,4	14,6	225	160	15.43