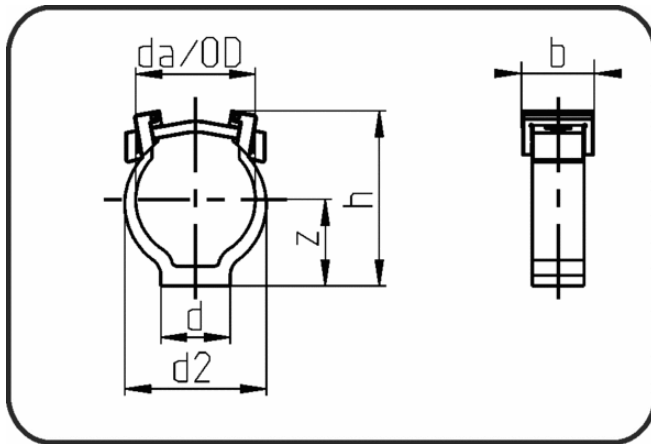


Backing Rings, Accessories



Code: 049.03

- Pipe Clip with cramp
- w.o. steel bracket and screw
- injection moulded
- **Installation Accessory**
- **PP-FRP black**

Dimension	Code	Detail	da(OD) mm	z mm	d mm	h mm	b mm	Weight
63	14.049.0063.03	63	63	52	53	102,8	42,5	0.08
75	14.049.0075.03	75	75	61	55	121,9	55	0.15
90	14.049.0090.03	90	90	67	57	134,2	55	0.18
110	14.049.0110.03	110	110	80	71	154,1	55	0.24
125	14.049.0125.03	125	125	93	91	178,5	75	0.46
140	14.049.0140.03	140	140	108	110	203,3	75	0.48
160	14.049.0160.03	160	160	116	120	219,7	75	0.56
180	14.049.0180.03	180	180	136	137	249,5	75	0.83
200	14.049.0200.03	200	200	148	145	266,5	75	0.94
225	14.049.0225.03	225	225	158	167	292	75	1.08