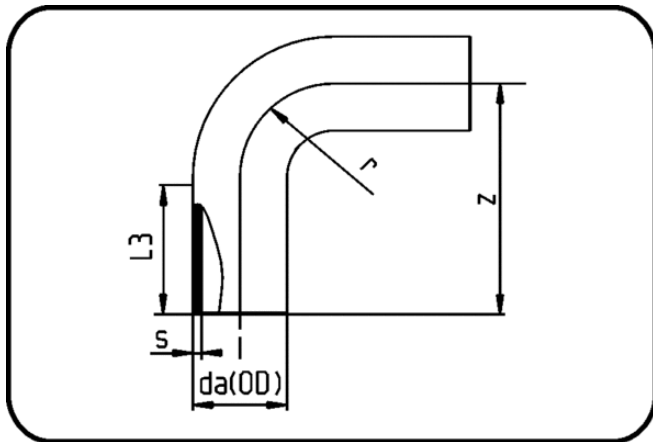


MULTI Fittings



Code: 068

- **MULTI-Bend 90°**
- long spigot
- injection moulded
- **Butt + IR-welding**
- **ECTFE natural**

Dimension	Code	Detail	da(OD) mm	s mm	z mm	r mm	L3 mm	Weight
20	40.068.0020.21	20X1,9 SDR21 ISO S-10	20	1,9	51	20	32	0.02
25	40.068.0025.21	25X1,9 SDR21 ISO S-10	25	1,9	56	25	33	0.03
32	40.068.0032.21	32X2,4 SDR21 ISO S-10	32	2,4	63	32	33	0.05
40	40.068.0040.21	40X2,4 SDR21 ISO S-10	40	2,4	73	40	36	0.07
50	40.068.0050.21	50X3,0 SDR21 ISO S-10	50	3	84	50	36	0.12
63	40.068.0063.21	63X3,0 SDR21 ISO S-10	63	3	97	63	38	0.18
75	40.068.0075.21	75X3,6 SDR21 ISO S-10	75	3,6	100	75	28	0.29
90	40.068.0090.21	90X4,3 SDR21 ISO S-10	90	4,3	123	90	34	0.50
110	40.068.0110.21	110X5,3 SDR21 ISO S-10	110	5,3	142	110	34	0.83
140	40.068.0140.21	140X6,7 SDR21 ISO S-10	140	6,7	216	140	73	2.68
160	40.068.0160.21	160X7,7 SDR21 ISO S-10	160	7,7	236	160	75	2.65