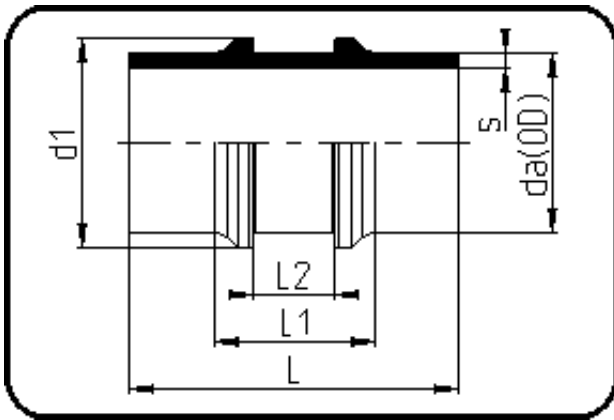


Fittings



Code: 028

- **Restrained Fitting**
- injection moulded
- **Butt + IR + HPF-welding**
- **PVDF natural**

Dimension	Code	Detail	Weight
160	30.028.0160.21	160X7,7 SDR21 ISO S-10	1.34

	Unit	Nominale	Tol+	Tol-
da(OD)	mm	160	1.00	0.00
L	mm	158	1.50	1.50
L1	mm	100	0.75	0.75
L2	mm	60	0.75	0.00
s	mm	7,7	1.00	0.00
d1	mm	178	0.00	0.75
da	inch	6	0.00	0.00