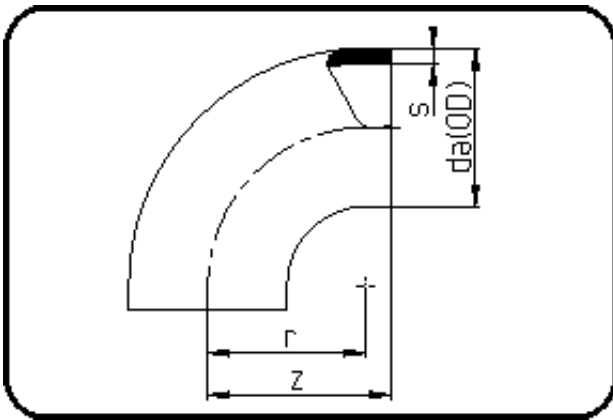


## Fittings with short Spigot



Code: 001

- Bend 90°
- short spigot
- flame retardant
- injection moulded
- **Butt-welding**
- PPs grey

Dim. 90 - 160 SDR 11 Discontinued products.

Dimension	Code	Detail	Weight
400	17.001.0400.33	400X12,3 SDR33 ISO S-16	8.28

	Unit	Nominale	Tol+	Tol-
da(OD)	mm	400	3.60	0.00
r	mm	300	0.00	0.00
s	mm	12,3	1.40	0.00
z	mm	345	6.00	6.00