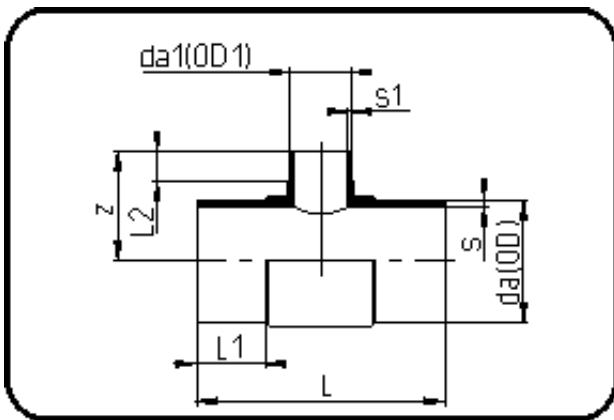


## Fittings with short Spigot



Code: 016

- Tee reduced
- short spigot
- injection moulded
- **Butt-welding**
- PPR grey

Dimension	Code	Detail	Weight
140/75	11.016.1475.11	140/75 SDR11 ISO S-5	1.92

	Unit	Nominale	Tol+	Tol-
da(OD)	mm	140	1.30	0.00
L	mm	305	4.50	4.50
L1	mm	54	3.75	3.75
L2	mm	35	1.50	1.50
s	mm	12,7	1.40	0.00
s1	mm	6,8	0.80	0.00
da(OD1)	mm	75	0.70	0.00
z	mm	130	3.00	3.00