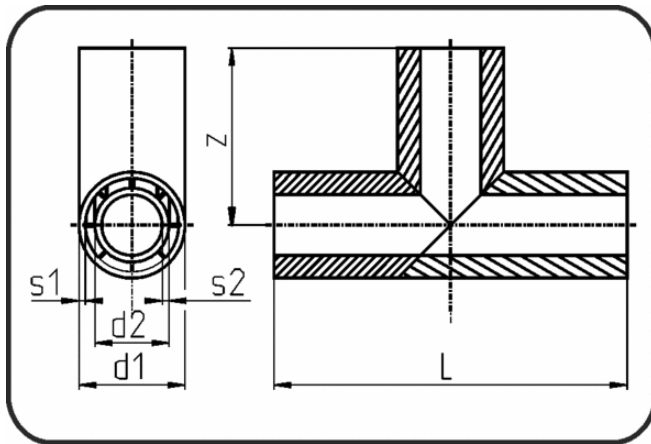


## PE 100-RC Poly-Flo



Code: 214

- Poly-Flo Tee
- derating factor 0.6
- segmented
- **simultaneous + cascade welding**
- PE 100-RC black

Dimension	Code	Detail	z mm	L mm	s1 mm	s2 mm	d1 mm	d2 mm	Weight
160/110	70.214.1611.37	160/110 SDR33/17	200	400	4,9	6,6	160	110	2.70
225/160	70.214.2216.37	225/160 SDR33/17	250	500	6,9	9,5	225	160	7.05
225/160	70.214.2216.71	225/160 SDR17/11	250	500	13,4	14,6	225	160	9.50