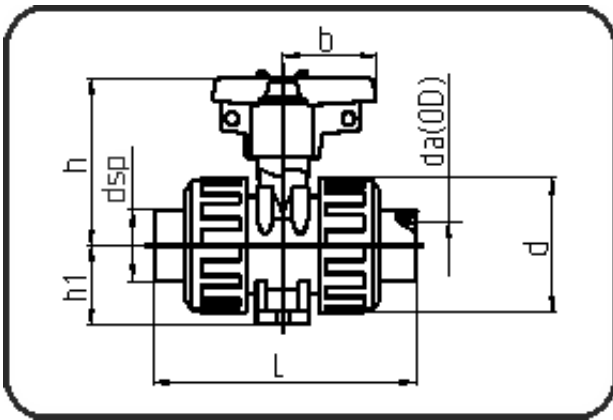


Valves



Code: 363.12

- Ball Valve M1
- EPDM-sealing
- injection moulded
- **Socket-welding**
- PP grey

Dimension	Code	Detail	Weight
20	11.363.1220.11	20 - MOP 10 bar	0.18

	Unit	Nominale	Tol+	Tol-
da(OD)	mm	20	0.00	0.00
L	mm	98,5	4.50	4.50
h1	mm	33	0.75	0.75
b	mm	40	0.75	0.75
dsp	mm	27,3	1.00	1.00
d	mm	58	0.75	0.75
t	mm	16	0.75	0.75
h	mm	74,5	0.75	0.75