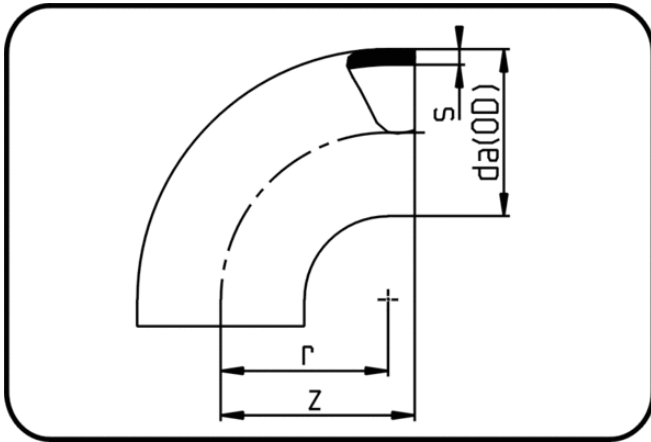


Fittings with short Spigot



Code: 001

- Bend 90°
- short spigot
- flame retardant
- injection moulded
- **Butt-welding**
- **PPs grey**

Dim. 90 - 160 SDR 11 Discontinued products.

Dimension	Code	Detail	da(OD) mm	s mm	z mm	r mm	Weight
110	17.001.0110.33	110X3,4 SDR33 ISO S-16	110	3,4	120	110	0.25
160	17.001.0160.33	160X4,9 SDR33 ISO S-16	160	4,9	180	155	0.79
180	17.001.0180.33	180X5,5 SDR33 ISO S-16	180	5,5	200	180	1.00
200	17.001.0200.33	200X6,2 SDR33 ISO S-16	200	6,2	220	200	1.42
225	17.001.0225.33	225X6,9 SDR33 ISO S-16	225	6,9	245	225	1.92
250	17.001.0250.33	250X7,7 SDR33 ISO S-16	250	7,7	290	265	2.94
280	17.001.0280.33	280X8,6 SDR33 ISO S-16	280	8,6	290	260	3.65
315	17.001.0315.33	315X9,7 SDR33 ISO S-16	315	9,7	340	300	5.20
355	17.001.0355.33	355X10,9 SDR33 ISO S-16	355	10,9	340	300	6.68
400	17.001.0400.33	400X12,3 SDR33 ISO S-16	400	12,3	345	300	8.28
20	17.001.0020.11	20X1,9 SDR11 ISO S-5	20	1,9	32	23	0.01
25	17.001.0025.11	25X2,3 SDR11 ISO S-5	25	2,3	38	30	0.01
32	17.001.0032.11	32X2,9 SDR11 ISO S-5	32	2,9	43	32	0.02
40	17.001.0040.11	40X3,7 SDR11 ISO S-5	40	3,7	46	40	0.03
50	17.001.0050.11	50X4,6 SDR11 ISO S-5	50	4,6	58	50	0.07
63	17.001.0063.11	63X5,8 SDR11 ISO S-5	63	5,8	70	63	0.12
75	17.001.0075.11	75X6,8 SDR11 ISO S-5	75	6,8	85	75	0.20
90	17.001.0090.11	90X8,2 SDR11 ISO S-5	90	8,2	100	90	0.36
110	17.001.0110.11	110X10,0 SDR11 ISO S-5	110	10	124	110	0.58
140	17.001.0140.11	140X12,7 SDR11 ISO S-5	140	12,7	150	140	1.22
160	17.001.0160.11	160X14,6 SDR11 ISO S-5	160	14,6	180	155	1.92