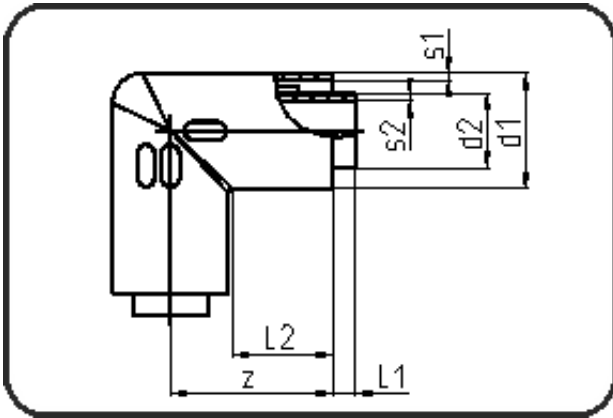


PE 100-RC Poly-Flo



Code: 190

- Poly-Flo Elbow 90°
- injection moulded
- **simultaneous + cascade welding**
- PE 100-RC black

Dimension	Code	Detail	Weight
50/32	70.190.5032.71	50/32 SDR17/11	0.15

	Unit	Nominale	Tol+	Tol-
L1	mm	7	1.00	1.00
L2	mm	61	2.00	2.00
d1	mm	50	0.50	0.00
s2	mm	3	0.40	0.00
d2	mm	32	0.30	0.00
s1	mm	3	0.40	0.00
z	mm	88	3.00	3.00