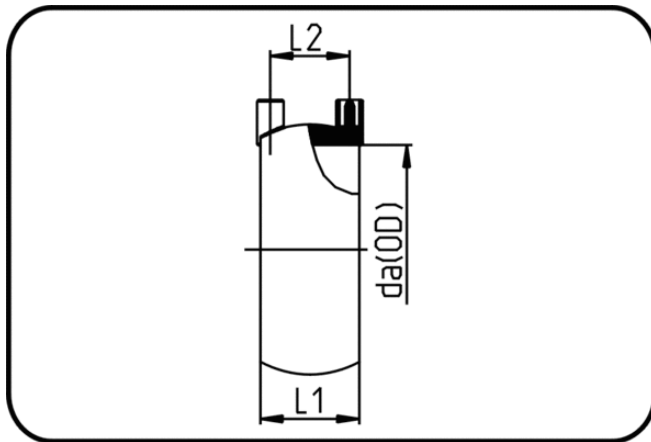


E-Schweisbare Fittings



Code: 073

- HPF-E-Muffe
- formgespritzt
- HPF-Schweissung
- PVDF UHP natur

| Dimension | Code | Detail | da(OD) mm | L1 mm | L2 mm | Gewicht |
|-----------|----------------|-------------------|--------------|----------|----------|---------|
| 20 | 35.073.0020.21 | 20X1,9 MOP 16 bar | 20,4 | 20 | 15 | 0.01 |
| 25 | 35.073.0025.21 | 25X1,9 MOP 16 bar | 25,4 | 20 | 15 | 0.02 |
| 32 | 35.073.0032.21 | 32X2,4 MOP 16 bar | 32,35 | 20,5 | 15 | 0.02 |
| 40 | 35.073.0040.21 | 40X2,4 MOP 16 bar | 40,35 | 25 | 20 | 0.04 |
| 50 | 35.073.0050.21 | 50X3,0 MOP 16 bar | 50,35 | 30 | 24 | 0.05 |
| 63 | 35.073.0063.21 | 63X3,0 MOP 16 bar | 63,45 | 30 | 24 | 0.06 |