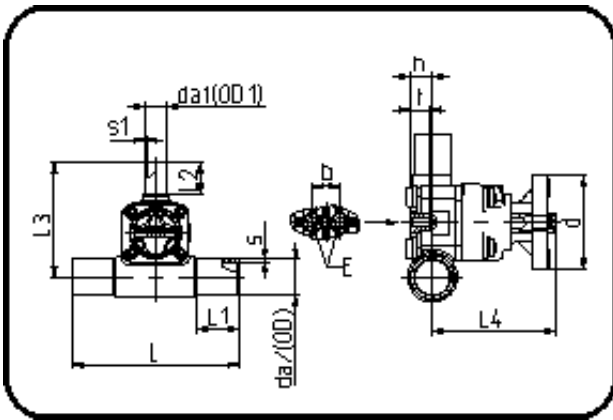


## Ventile



Code: 72.343

- T-Membranventil
- handgesteuert
- EPDM/PTFE Membran
- **Stumpf+IR-Schweissung**
- **PP Pure grau**

Dimension	Code	Detail	Gewicht
75/32	72.343.7533.11	75/32 - SDR11 MOP 10 bar	0.99

	Einheit	Nominale	Tol+	Tol-
L	mm	184	3.75	3.75
s	mm	6,8	0.80	0.00
t	mm	17	0.75	0.75
s1	mm	2,9	0.40	0.00
da(OD)	mm	75	0.70	0.00
L1	mm	46	1.50	1.50
L3	mm	148	1.50	1.50
L2	mm	36	1.50	1.50
L4	mm	122	2.25	2.25
d	mm	85	4.50	4.50
E	mm	M6	8.50	8.20
da1	inch	1	0.00	0.00
h	mm	22	0.75	0.75
K	mm	M6	0.00	0.00
da(OD1)	mm	32	0.30	0.00
da	inch	2,5	0.00	0.00