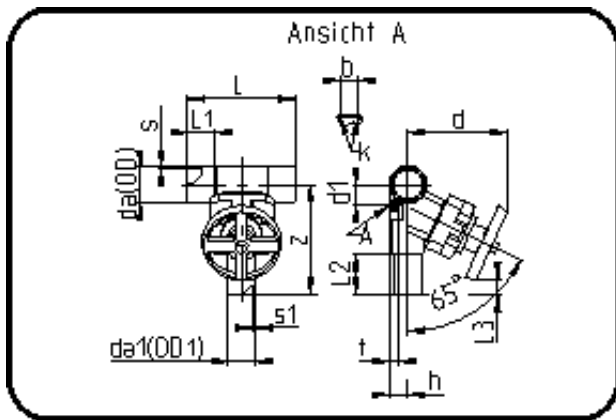


Ventile



Code: 343

- T-Membranventil
- handgesteuert
- EPDM/PTFE Membran
- Stumpf+IR+HPF-Schweissung
- PVDF UHP natur

| Dimension | Code | Detail | Gewicht |
|-----------|----------------|---------------------------|---------|
| 110/20 | 35.343.1120.21 | 110/20 - SDR21 MOP 10 bar | 1.73 |

| | Einheit | Nominale | Tol+ | Tol- |
|---------|---------|----------|------|------|
| L | mm | 210 | 1.50 | 1.50 |
| cv | gal | 0 | 0.00 | 0.00 |
| s | mm | 5,3 | 0.80 | 0.00 |
| t | mm | 48,5 | 1.50 | 1.50 |
| Kv-I | min | 0 | 0.00 | 0.00 |
| s1 | mm | 1,9 | 0.40 | 0.00 |
| z | mm | 195 | 1.50 | 1.50 |
| da(OD) | mm | 110 | 0.50 | 0.00 |
| L1 | mm | 33 | 0.75 | 0.75 |
| L3 | mm | 35 | 1.50 | 1.50 |
| L2 | mm | 55 | 0.75 | 0.75 |
| b | mm | 25 | 0.00 | 0.00 |
| DN | mm | 100 | 0.00 | 0.00 |
| d | mm | 140 | 3.00 | 3.00 |
| d1 | mm | 71 | 1.50 | 1.50 |
| da1 | inch | 0,5 | 0.00 | 0.00 |
| h | mm | 33,5 | 0.75 | 0.75 |
| K | mm | M6 | 0.00 | 0.00 |
| da(OD1) | mm | 20 | 0.30 | 0.00 |
| DN2 | mm | 20 | 0.00 | 0.00 |
| da | inch | 4 | 0.00 | 0.00 |