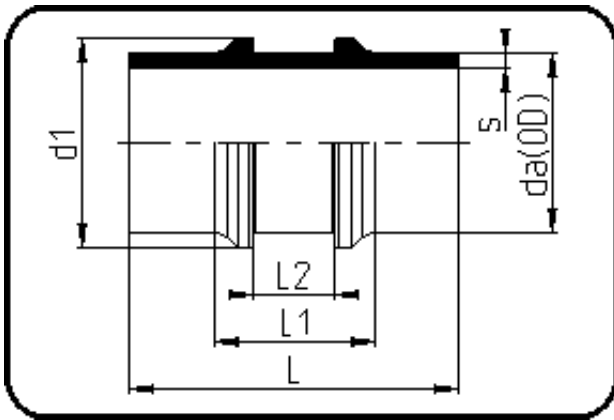


## Fittings



Code: 301

- Festpunkt
- mechanisch gefertigt
- **Stumpf+IR-Schweissung**
- PP Pure grau

| Dimension | Code           | Detail                 | Gewicht |
|-----------|----------------|------------------------|---------|
| 180       | 72.301.0180.11 | 180X16,4 SDR11 ISO S-5 | 1.95    |

|        | Einheit | Nominale | Tol+ | Tol- |
|--------|---------|----------|------|------|
| da(OD) | mm      | 180      | 0.50 | 0.00 |
| L      | mm      | 200      | 1.50 | 1.50 |
| L1     | mm      | 110      | 1.50 | 1.50 |
| L2     | mm      | 61       | 0.75 | 0.00 |
| s      | mm      | 16,4     | 1.80 | 0.00 |
| d1     | mm      | 205      | 0.75 | 0.75 |