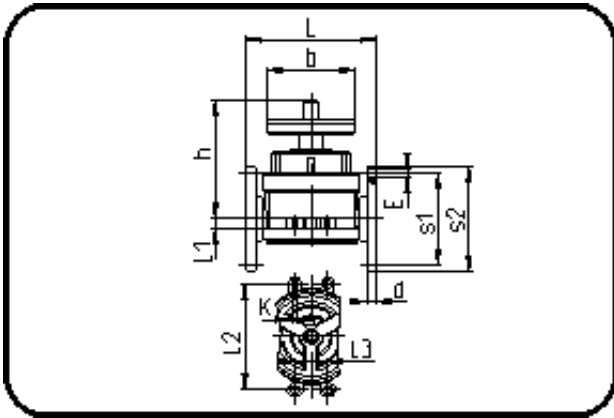


Ventile



Code: 342.20

- Membranventil
- handgesteuert
- EPDM/PTFE Membran
- Flanschverbindung
- PVDF UHP natur

Dimension	Code	Detail	Gewicht
90	35.342.2090.21	90 - MOP 10 bar DIN/ANSI/JIS	7.61

	Einheit	Nominale	Tol+	Tol-
L	mm	310	4.50	4.50
Kv-I	min	1.360	0.00	0.00
s2	mm	200	2.00	2.00
s1	mm	150	0.00	0.00
da(OD)	mm	90	0.00	0.00
L1	mm	25	0.75	0.75
L3	mm	0	0.00	0.00
L2	mm	230	1.50	1.50
b	mm	234	0.00	0.00
DN	mm	80	0.00	0.00
d	mm	19	0.00	0.00
E	mm	M16	0.00	0.00
h	mm	254	0.00	0.00
K	mm	M12	0.00	0.00
da	inch	3	0.00	0.00