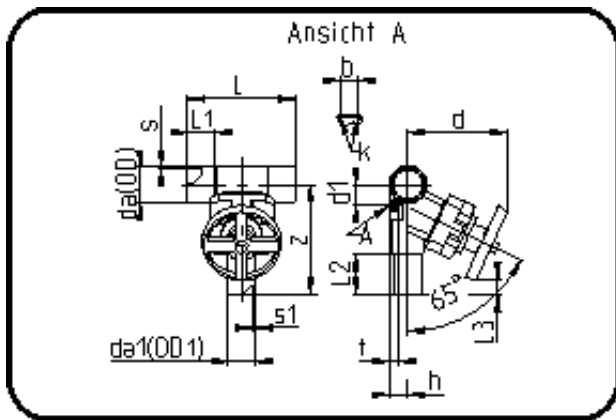


## Ventile



Code: 343

- T-Membranventil
- handgesteuert
- EPDM/PTFE Membran
- Stumpf+IR+HPF-Schweissung
- PVDF UHP natur

Dimension	Code	Detail	Gewicht
160/63	35.343.1663.21	160/63 - SDR21 MOP 10 bar	4.97

	Einheit	Nominale	Tol+	Tol-
L	mm	250	2.30	0.00
cv	gal	0	0.00	0.00
s	mm	7,7	1.00	0.00
t	mm	58	1.00	1.00
Kv-I	min	0	0.00	0.00
s1	mm	3	0.60	0.00
z	mm	290	1.50	1.50
da(OD)	mm	160	1.00	0.00
L1	mm	54,5	1.50	1.50
L3	mm	48	1.50	1.50
L2	mm	101,5	1.50	1.50
b	mm	45	0.00	0.00
DN	mm	150	0.00	0.00
d	mm	205	3.00	3.00
d1	mm	103	1.50	1.50
da1	inch	2	0.00	0.00
h	mm	34	0.50	0.50
K	mm	M8	0.00	0.00
da(OD1)	mm	63	0.40	0.00
DN2	mm	50	0.00	0.00
da	inch	5	0.00	0.00