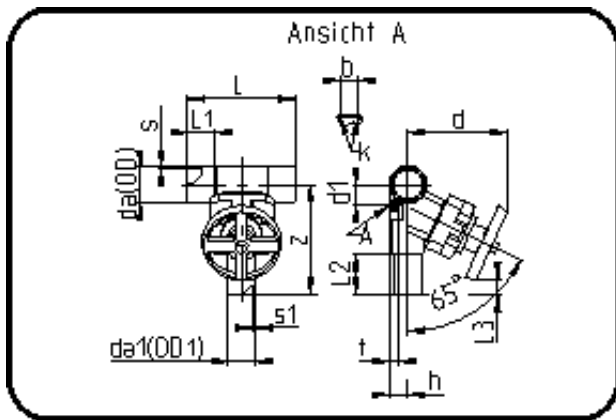


Ventile



Code: 343

- T-Membranventil
- handgesteuert
- EPDM/PTFE Membran
- Stumpf+IR+HPF-Schweissung
- PVDF UHP natur

Dimension	Code	Detail	Gewicht
40/20	35.343.4020.21	40/20 - SDR21 MOP 10 bar	0.91

	Einheit	Nominale	Tol+	Tol-
L	mm	184	1.50	1.50
cv	gal	13,93	0.00	0.00
s	mm	2,4	0.50	0.00
t	mm	20	1.50	1.50
Kv-I	min	199	0.00	0.00
s1	mm	1,9	0.40	0.00
z	mm	155	1.50	1.50
da(OD)	mm	40	0.40	0.00
L1	mm	46	0.75	0.75
L3	mm	36	1.50	1.50
L2	mm	58	0.75	0.75
b	mm	25	0.00	0.00
DN	mm	32	0.00	0.00
d	mm	128	3.00	3.00
d1	mm	35	1.50	1.50
da1	inch	0,5	0.00	0.00
h	mm	21	0.75	0.75
K	mm	M6	0.00	0.00
da(OD1)	mm	20	0.30	0.00
DN2	mm	15	0.00	0.00
da	inch	1,25	0.00	0.00