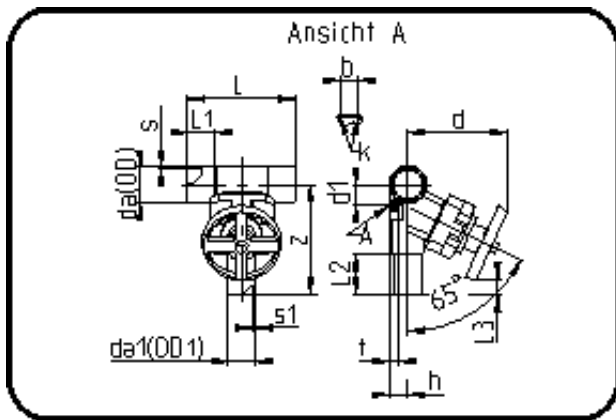


Ventile



Code: 343

- T-Membranventil
- handgesteuert
- EPDM/PTFE Membran
- Stumpf+IR+HPF-Schweissung
- PVDF UHP natur

Dimension	Code	Detail	Gewicht
90/32	35.343.9032.31	90/32 - SDR33/21 MOP 10 bar	1.33

	Einheit	Nominale	Tol+	Tol-
L	mm	210	1.50	1.50
cv	gal	18,06	0.00	0.00
s	mm	2,8	0.50	0.00
t	mm	36	1.50	1.50
Kv-I	min	258	0.00	0.00
s1	mm	2,4	0.50	0.00
z	mm	188	1.50	1.50
da(OD)	mm	90	0.40	0.00
L1	mm	33	0.75	0.75
L3	mm	38	1.50	1.50
L2	mm	64	0.75	0.75
b	mm	25	0.00	0.00
DN	mm	80	0.00	0.00
d	mm	135	3.00	3.00
d1	mm	65	1.50	1.50
da1	inch	1	0.00	0.00
h	mm	23,5	0.75	0.75
K	mm	M6	0.00	0.00
da(OD1)	mm	32	0.30	0.00
DN2	mm	25	0.00	0.00
da	inch	3	0.00	0.00