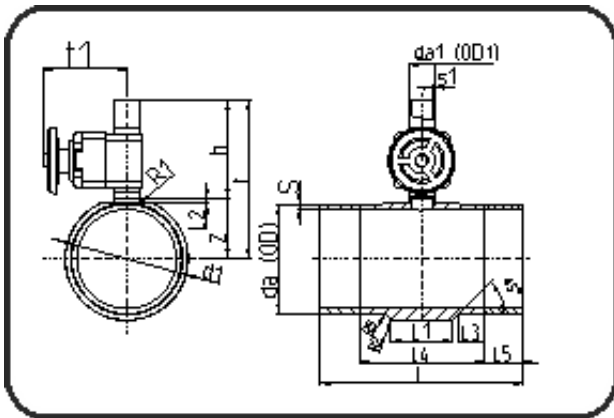


Ventile



Code: 240

- T-Membranventil
- handgesteuert
- EPDM/PTFE Membran
- mechanisch gefertigt
- **Stumpf+IR-Schweissung**
- PP Pure grau

Dimension	Code	Detail	Gewicht
50/25	72.240.5025.11	50/25 - SDR11 MOP 10 bar	0.65

	Einheit	Nominale	Tol+	Tol-
L	mm	185	2.00	2.00
s	mm	4,6	0.60	0.00
t	mm	146	4.50	4.50
t1	mm	100	1.00	1.00
s1	mm	2,3	0.40	0.00
z	mm	32	1.00	1.00
da(OD)	mm	50	0.50	0.00
L1	mm	33	1.00	1.00
L3	mm	63,5	1.00	1.00
L2	mm	7	1.00	1.00
L5	mm	0	1.00	1.00
L4	mm	185	1.00	1.00
d1	mm	75	1.00	1.00
h	mm	114	0.00	0.00
da(OD1)	mm	25	0.30	0.00