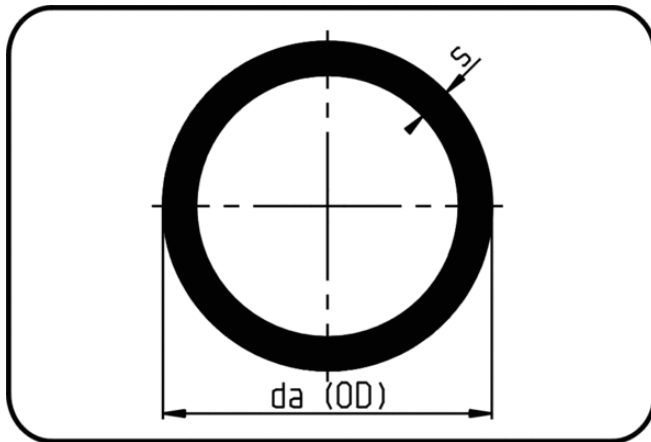


Rohre



Code: 705

- Rohr 5m
- extrudiert
- PVDF UHP natur

Dimension	Code	Detail	da(OD) mm	s mm	Gewicht
90	35.705.0090.33	90X2,8 SDR33 ISO S-16	90	2,8	1.48
110	35.705.0110.33	110X3,4 SDR33 ISO S-16	110	3,4	2.20
125	35.705.0125.33	125X3,9 SDR33 ISO S-16	125	3,9	2.84
140	35.705.0140.33	140X4,3 SDR33 ISO S-16	140	4,3	3.52
160	35.705.0160.33	160X4,9 SDR33 ISO S-16	160	4,9	4.54
180	35.705.0180.33	180X5,5 SDR33 ISO S-16	180	5,5	5.74
200	35.705.0200.33	200X6,2 SDR33 ISO S-16	200	6,2	7.19
225	35.705.0225.33	225X6,9 SDR33 ISO S-16	225	6,9	8.95
250	35.705.0250.33	250X7,7 SDR33 ISO S-16	250	7,7	11.09
280	35.705.0280.33	280X8,6 SDR33 ISO S-16	280	8,6	13.86
315	35.705.0315.33	315X9,7 SDR33 ISO S-16	315	9,7	17.55
20	35.705.0020.21	20X1,9 SDR21 ISO S-10	20	1,9	0.21
25	35.705.0025.21	25X1,9 SDR21 ISO S-10	25	1,9	0.27
32	35.705.0032.21	32X2,4 SDR21 ISO S-10	32	2,4	0.44
40	35.705.0040.21	40X2,4 SDR21 ISO S-10	40	2,4	0.55
50	35.705.0050.21	50X3,0 SDR21 ISO S-10	50	3	0.85
63	35.705.0063.21	63X3,0 SDR21 ISO S-10	63	3	1.09
75	35.705.0075.21	75X3,6 SDR21 ISO S-10	75	3,6	1.55
90	35.705.0090.21	90X4,3 SDR21 ISO S-10	90	4,3	2.22
110	35.705.0110.21	110X5,3 SDR21 ISO S-10	110	5,3	3.32
125	35.705.0125.21	125X6,0 SDR21 ISO S-10	125	6	4.24
140	35.705.0140.21	140X6,7 SDR21 ISO S-10	140	6,7	5.31
160	35.705.0160.21	160X7,7 SDR21 ISO S-10	160	7,7	6.96
180	35.705.0180.21	180X8,6 SDR21 ISO S-10	180	8,6	8.74
200	35.705.0200.21	200X9,6 SDR21 ISO S-10	200	9,6	10.74
225	35.705.0225.21	225X10,8 SDR21 ISO S-10	225	10,8	13.67
250	35.705.0250.21	250X11,9 SDR21 ISO S-10	250	11,9	16.73
280	35.705.0280.21	280X13,4 SDR21 ISO S-10	280	13,4	21.11

Dimension	Code	Detail	da(OD) mm	s mm	Gewicht
315	35.705.0315.21	315X15,0 SDR21 ISO S-10	315	15	26.50