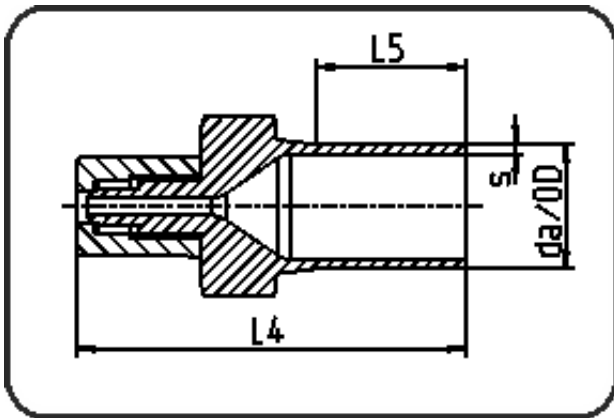


Fittings



Code: 047

- Übergangsfitting
- PP-pure grau auf PFA
- formgespritzt
- **Stumpf+IR-Schweissg, Flare LINK**
- PP Pure grau

| Dimension | Code | Detail | Gewicht |
|-----------|----------------|--------------------------|---------|
| 25 | 72.047.2534.11 | 25X3/4" SDR11 MOP 10 bar | 0.03 |

| | Einheit | Nominale | Tol+ | Tol- |
|--------|---------|----------|------|------|
| da(OD) | mm | 25 | 0.30 | 0.00 |
| L5 | mm | 30 | 2.00 | 2.00 |
| L4 | mm | 90 | 3.00 | 3.00 |
| s | mm | 2,3 | 0.30 | 0.00 |
| da | inch | 0,75 | 0.00 | 0.00 |