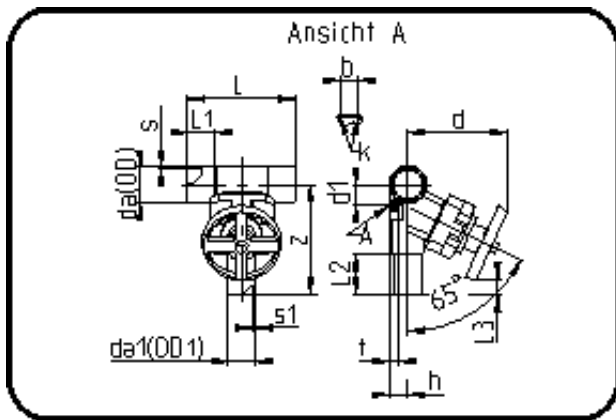


Ventile



Code: 343

- T-Membranventil
- handgesteuert
- EPDM/PTFE Membran
- Stumpf+IR+HPF-Schweissung
- PVDF UHP natur

Dimension	Code	Detail	Gewicht
90/63	35.343.9063.21	90/63 - SDR21 MOP 10 bar	3.37

	Einheit	Nominale	Tol+	Tol-
L	mm	210	1.50	1.50
cv	gal	42,07	0.00	0.00
s	mm	4,3	0.70	0.00
t	mm	65	1.50	1.50
Kv-I	min	601	0.00	0.00
s1	mm	3	0.60	0.00
z	mm	255	1.50	1.50
da(OD)	mm	90	0.40	0.00
L1	mm	33	0.75	0.75
L3	mm	50	1.50	1.50
L2	mm	100	0.75	0.75
b	mm	45	0.00	0.00
DN	mm	80	0.00	0.00
d	mm	199	3.00	3.00
d1	mm	72	1.50	1.50
da1	inch	2	0.00	0.00
h	mm	46,5	0.75	0.75
K	mm	M8	0.00	0.00
da(OD1)	mm	63	0.40	0.00
DN2	mm	50	0.00	0.00
da	inch	3	0.00	0.00