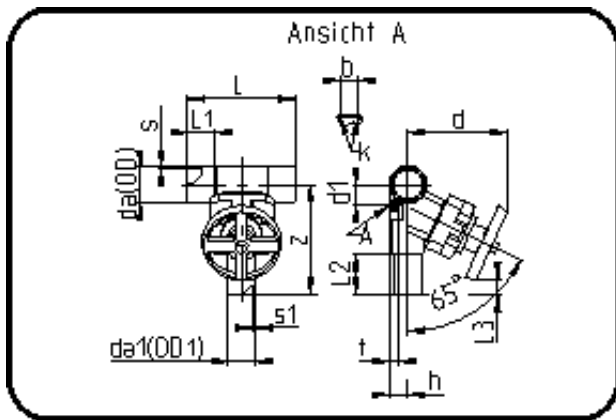


Ventile



Code: 343

- T-Membranventil
- handgesteuert
- EPDM/PTFE Membran
- Stumpf+IR+HPF-Schweissung
- PVDF UHP natur

Dimension	Code	Detail	Gewicht
110/25	35.343.1125.31	110/25 - SDR33/21 MOP 10 bar	1.66

	Einheit	Nominale	Tol+	Tol-
L	mm	210	1.50	1.50
cv	gal	17,92	0.00	0.00
s	mm	3,4	0.60	0.00
t	mm	43	1.50	1.50
Kv-I	min	256	0.00	0.00
s1	mm	1,9	0.40	0.00
z	mm	198	1.50	1.50
da(OD)	mm	110	0.50	0.00
L1	mm	33	0.75	0.75
L3	mm	38	1.50	1.50
L2	mm	57,5	0.75	0.75
b	mm	25	0.00	0.00
DN	mm	100	0.00	0.00
d	mm	140	3.00	3.00
d1	mm	71	1.50	1.50
da1	inch	0,75	0.00	0.00
h	mm	33,5	0.75	0.75
K	mm	M6	0.00	0.00
da(OD1)	mm	25	0.30	0.00
DN2	mm	20	0.00	0.00
da	inch	4	0.00	0.00