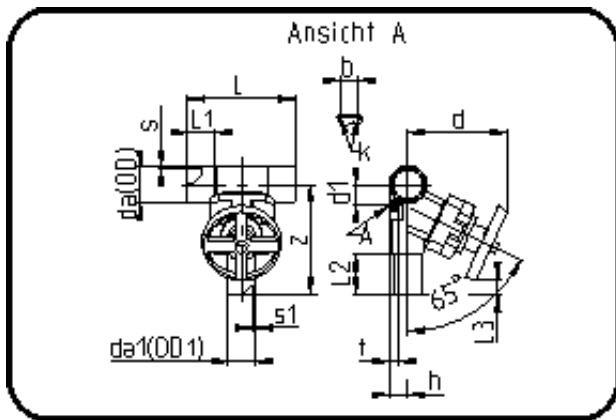


Ventile



Code: 343

- T-Membranventil
- handgesteuert
- EPDM/PTFE Membran
- Stumpf+IR+HPF-Schweissung
- PVDF UHP natur

Dimension	Code	Detail	Gewicht
50/40	35.343.5040.21	50/40 - SDR21 MOP 10 bar	3.01

	Einheit	Nominale	Tol+	Tol-
L	mm	238	1.50	1.50
cv	gal	0	0.00	0.00
s	mm	3	0.60	0.00
t	mm	57	1.00	1.00
Kv-I	min	0	0.00	0.00
s1	mm	2,4	0.50	0.00
z	mm	238	1.50	1.50
da(OD)	mm	50	0.40	0.00
L1	mm	47	0.75	0.75
L3	mm	0	0.00	0.00
L2	mm	96	0.50	0.50
b	mm	45	0.00	0.00
DN	mm	40	0.00	0.00
d	mm	200	0.00	0.00
d1	mm	53	0.00	0.00
da1	inch	1,25	0.00	0.00
h	mm	25,5	0.50	0.50
K	mm	M8	0.00	0.00
da(OD1)	mm	40	0.40	0.00
DN2	mm	32	0.00	0.00
da	inch	1,5	0.00	0.00