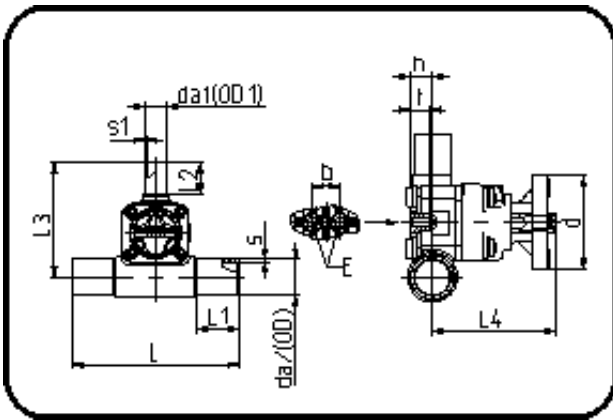


## Ventile



Code: 72.343

- T-Membranventil
- handgesteuert
- EPDM/PTFE Membran
- **Stumpf+IR-Schweissung**
- **PP Pure grau**

Dimension	Code	Detail	Gewicht
40/25	72.343.4026.11	40/25 - SDR11 MOP 10 bar	0.72

	Einheit	Nominale	Tol+	Tol-
L	mm	184	3.75	3.75
s	mm	3,7	0.50	0.00
t	mm	17	0.75	0.75
s1	mm	2,3	0.50	0.00
da(OD)	mm	40	0.40	0.00
L1	mm	46	1.50	1.50
L3	mm	127	1.50	1.50
L2	mm	36	1.50	1.50
L4	mm	108,9	1.50	1.50
d	mm	85	1.50	1.50
E	mm	M6	8.30	8.00
da1	inch	0,75	0.00	0.00
h	mm	20	0.00	0.00
K	mm	24,5	0.00	0.00
da(OD1)	mm	25	0.30	0.00
da	inch	1,25	0.00	0.00