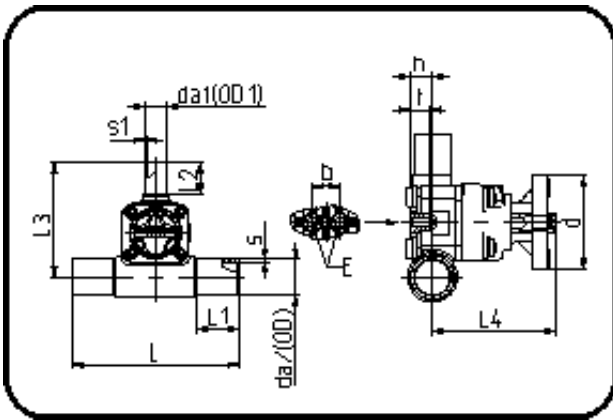


Ventile



Code: 72.343

- T-Membranventil
- handgesteuert
- EPDM/PTFE Membran
- **Stumpf+IR-Schweissung**
- **PP Pure grau**

| Dimension | Code | Detail | Gewicht |
|-----------|----------------|--------------------------|---------|
| 40/32 | 72.343.4033.11 | 40/32 - SDR11 MOP 10 bar | 0.72 |

| | Einheit | Nominale | Tol+ | Tol- |
|---------|---------|----------|------|------|
| L | mm | 184 | 3.75 | 3.75 |
| s | mm | 3,7 | 0.50 | 0.00 |
| t | mm | 17 | 0.75 | 0.75 |
| s1 | mm | 2,9 | 0.50 | 0.00 |
| da(OD) | mm | 40 | 0.40 | 0.00 |
| L1 | mm | 46 | 1.50 | 1.50 |
| L3 | mm | 127 | 1.50 | 1.50 |
| L2 | mm | 36 | 1.50 | 1.50 |
| L4 | mm | 113,9 | 1.50 | 1.50 |
| d | mm | 85 | 1.50 | 1.50 |
| E | mm | M6 | 8.30 | 8.00 |
| da1 | inch | 1 | 0.00 | 0.00 |
| h | mm | 20 | 0.00 | 0.00 |
| K | mm | 24,5 | 0.00 | 0.00 |
| da(OD1) | mm | 32 | 0.30 | 0.00 |
| da | inch | 1,25 | 0.00 | 0.00 |