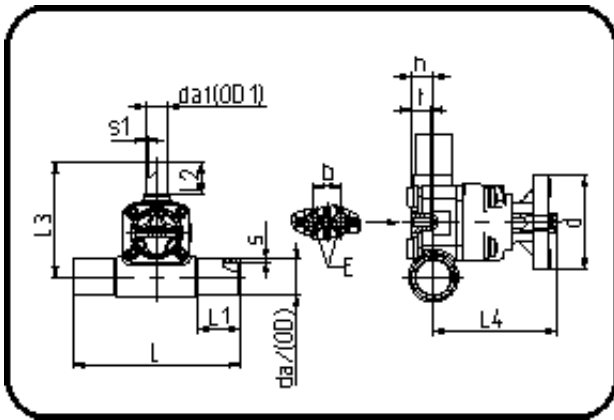


Ventile



Code: 72.343

- T-Membranventil
- handgesteuert
- EPDM/PTFE Membran
- **Stumpf+IR-Schweissung**
- **PP Pure grau**

Dimension	Code	Detail	Gewicht
110/32	72.343.1133.11	110/32 - SDR11 MOP 10 bar	1.36

	Einheit	Nominale	Tol+	Tol-
L	mm	196	3.75	3.75
s	mm	10	1.10	0.00
t	mm	17	3.00	3.00
s1	mm	2,9	0.40	0.00
da(OD)	mm	110	1.00	0.00
L1	mm	52	1.50	1.50
L3	mm	170	2.25	2.25
L2	mm	36	1.50	1.50
L4	mm	122	2.25	2.25
d	mm	85	3.00	3.00
E	mm	M6	8.50	8.20
da1	inch	1	0.00	0.00
h	mm	22	0.00	0.00
K	mm	M6	0.00	0.00
da(OD1)	mm	32	0.30	0.00
da	inch	4	0.00	0.00