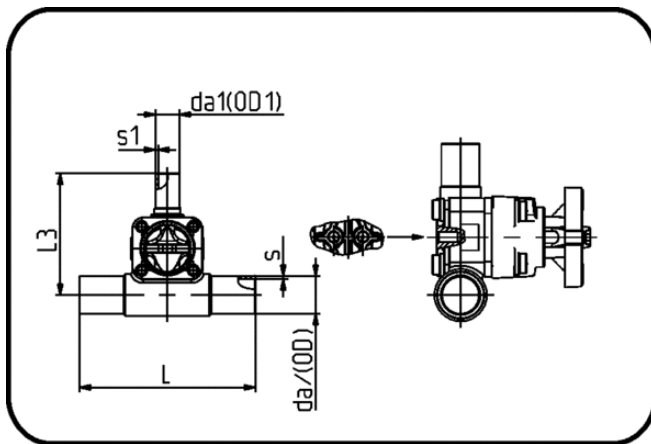


Ventile



Code: 72.343

- T-Membranventil
- handgesteuert
- EPDM/PTFE Membran
- **Stumpf+IR-Schweissung**
- PP Pure grau

Dimension	Code	Detail	da(OD) mm	da(OD1) mm	s mm	L mm	L3 mm	s1 mm	Gewicht
20/20	72.343.2021.11	20/20 - SDR11 MOP 10 bar	20	20	1,9	164	112	1,9	0.46
25/20	72.343.2521.11	25/20 - SDR11 MOP 10 bar	25	20	2,3	164	115,5	1,9	0.49
25/25	72.343.2526.11	25/25 - SDR11 MOP 10 bar	25	25	2,3	164	115,5	2,3	0.47
32/20	72.343.3221.11	32/20 - SDR11 MOP 10 bar	32	20	2,9	164	122	1,9	0.68
32/25	72.343.3226.11	32/25 - SDR11 MOP 10 bar	32	25	2,9	164	122	2,3	0.67
32/32	72.343.3233.11	32/32 - SDR11 MOP 10 bar	32	32	2,9	164	122	2,9	0.67
40/20	72.343.4021.11	40/20 - SDR11 MOP 10 bar	40	20	3,7	184	127	1,9	0.72
40/25	72.343.4026.11	40/25 - SDR11 MOP 10 bar	40	25	3,7	184	127	2,3	0.72
40/32	72.343.4033.11	40/32 - SDR11 MOP 10 bar	40	32	3,7	184	127	2,9	0.72
50/20	72.343.5021.11	50/20 - SDR11 MOP 10 bar	50	20	4,6	184	131,5	1,9	0.79
50/32	72.343.5033.11	50/32 - SDR11 MOP 10 bar	50	32	4,6	184	131,5	2,9	0.77
63/32	72.343.6333.11	63/32 - SDR11 MOP 10 bar	63	32	5,8	184	138	2,9	0.91
75/32	72.343.7533.11	75/32 - SDR11 MOP 10 bar	75	32	6,8	184	148	2,9	0.99
90/32	72.343.9033.11	90/32 - SDR11 MOP 10 bar	90	32	8,2	184	157,5	2,9	1.12
110/32	72.343.1133.11	110/32 - SDR11 MOP 10 bar	110	32	10	196	170	2,9	1.36