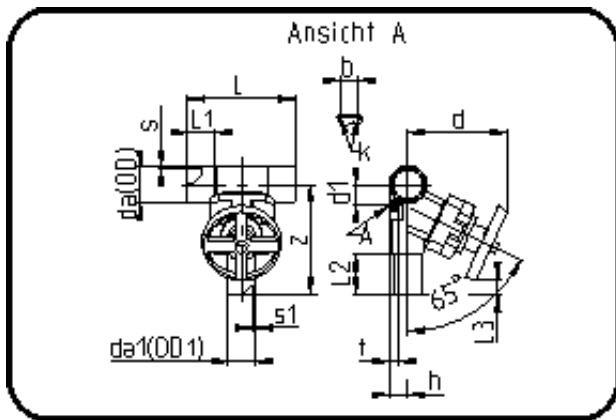


Ventile



Code: 343

- T-Membranventil
- handgesteuert
- EPDM/PTFE Membran
- 160/63 + Red. 63/50
- **Stumpf+IR+HPF-Schweissung**
- **PVDF UHP natur**

Dimension	Code	Detail	Gewicht
160/50	35.343.1650.21	160/50 - SDR21 MOP 10 bar	4.92

	Einheit	Nominale	Tol+	Tol-
L	mm	250	1.50	1.50
cv	gal	0	0.00	0.00
s	mm	7,7	1.00	0.00
t	mm	58	1.50	1.50
Kv-I	min	0	0.00	0.00
s1	mm	3	0.60	0.00
z	mm	290	9.00	9.00
da(OD)	mm	160	1.00	0.00
L1	mm	54	0.75	0.75
L3	mm	48	1.50	1.50
L2	mm	100	0.75	0.75
b	mm	45	0.00	0.00
DN	mm	150	0.00	0.00
d	mm	205	3.00	3.00
d1	mm	103	1.50	1.50
da1	inch	1,5	0.00	0.00
h	mm	34	0.75	0.75
K	mm	M6	0.00	0.00
da(OD1)	mm	50	0.40	0.00
DN2	mm	50	0.00	0.00
da	inch	5	0.00	0.00