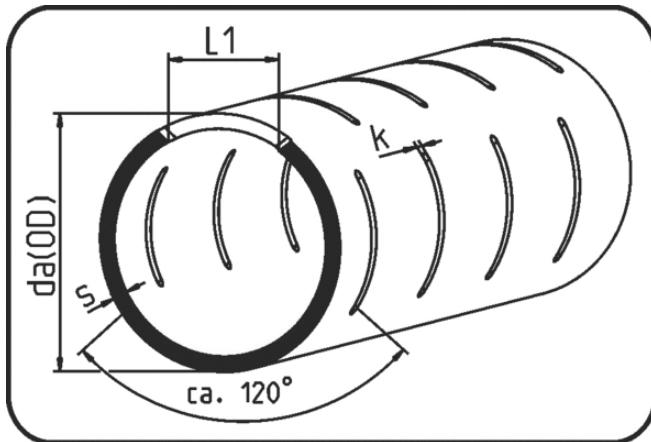


## Drainagerohre



Code: 732

- Drainagerohr 12m
- 2/3 geschlitzt
- extrudiert+geschlitzt
- PE 100 schwarz

Keine Lagerware - Verfügbarkeit auf Anfrage.

Dimension	Code	Detail	da(OD) mm	s mm	L1 mm	K mm	Gewicht
110	25.732.0110.17	110X6,6 SDR17 ISO S-8	110	6,6	56	3/4/6/8/10	2.19
125	25.732.0125.17	125X7,4 SDR17 ISO S-8	125	7,4	57	3/4/6/8/10	2.79
140	25.732.0140.17	140X8,3 SDR17 ISO S-8	140	8,3	57	3/4/6/8/10	3.50
160	25.732.0160.17	160X9,5 SDR17 ISO S-8	160	9,5	82	3/4/6/8/10	4.57
180	25.732.0180.17	180X10,7 SDR17 ISO S-8	180	10,7	84	3/4/6/8/10	5.77
200	25.732.0200.17	200X11,9 SDR17 ISO S-8	200	11,9	84	3/4/6/8/10	7.12
225	25.732.0225.17	225X13,4 SDR17 ISO S-8	225	13,4	84	3/4/6/8/10	9.03
250	25.732.0250.17	250X14,8 SDR17 ISO S-8	250	14,8	83	3/4/6/8/10	11.10
280	25.732.0280.17	280X16,6 SDR17 ISO S-8	280	16,6	93	4/6/8/10	13.90
315	25.732.0315.17	315X18,7 SDR17 ISO S-8	315	18,7	91	4/6/8/10	17.60
355	25.732.0355.17	355X21,1 SDR17 ISO S-8	355	21,1	88	4/6/8/10	22.40
63	25.732.0063.11	63X5,8 SDR11 ISO S-5	63	5,8	43	3/4/6/8/10	1.06
75	25.732.0075.11	75X6,8 SDR11 ISO S-5	75	6,8	46	3/4/6/8/10	1.48
90	25.732.0090.11	90X8,2 SDR11 ISO S-5	90	8,2	48	3/4/6/8/10	2.14
110	25.732.0110.11	110X10,0 SDR11 ISO S-5	110	10	47	3/4/6/8/10	3.18
125	25.732.0125.11	125X11,4 SDR11 ISO S-5	125	11,4	47	3/4/6/8/10	4.12
140	25.732.0140.11	140X12,7 SDR11 ISO S-5	140	12,7	46	3/4/6/8/10	5.13
160	25.732.0160.11	160X14,6 SDR11 ISO S-5	160	14,6	72	3/4/6/8/10	6.74
180	25.732.0180.11	180X16,4 SDR11 ISO S-5	180	16,4	72	3/4/6/8/10	8.51
200	25.732.0200.11	200X18,2 SDR11 ISO S-5	200	18,2	70	3/4/6/8/10	10.50
225	25.732.0225.11	225X20,5 SDR11 ISO S-5	225	20,5	67	3/4/6/8/10	13.30
250	25.732.0250.11	250X22,7 SDR11 ISO S-5	250	22,7	63	3/4/6/8/10	16.30
280	25.732.0280.11	280X25,4 SDR11 ISO S-5	280	25,4	72	4/6/8/10	20.50
315	25.732.0315.11	315X28,6 SDR11 ISO S-5	315	28,6	65	4/6/8/10	25.90