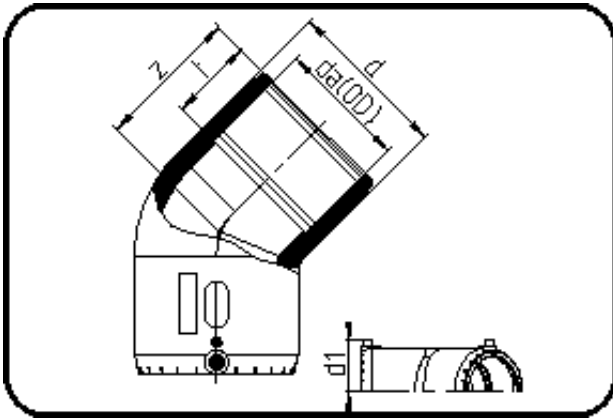


## E-Schweissbare Fittings



Code: 170

- E-Winkel 45°
- MOP Wasser 16bar / Gas 10bar
- W/P-TW
- formgespritzt
- **Heizwendel-Schweissung**
- **PE 100-RC schwarz**

| Dimension | Code           | Detail        | Gewicht |
|-----------|----------------|---------------|---------|
| 180       | 70.170.0180.11 | 180 SDR 26-11 | 4.72    |

|        | Einheit | Nominale | Tol+ | Tol- |
|--------|---------|----------|------|------|
| da(OD) | mm      | 180      | 0.00 | 0.00 |
| d      | mm      | 224      | 1.50 | 1.50 |
| d1     | mm      | 119      | 1.50 | 1.50 |
| t      | mm      | 98       | 2.25 | 2.25 |
| z      | mm      | 171      | 2.25 | 2.25 |