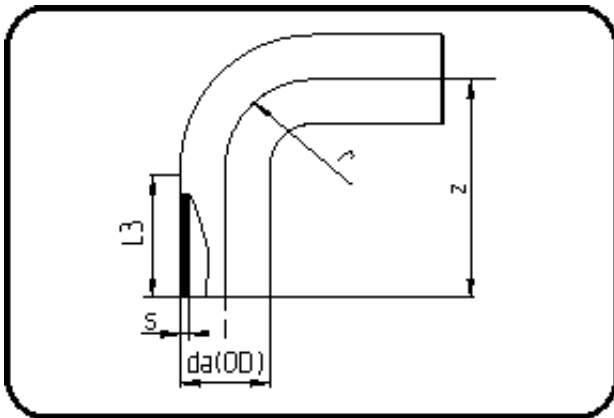


## MULTI Fittings



Code: 068

- **MULTI-Bogen 90°**
- lange Schenkel
- W/P-TW
- formgespritzt
- **Stumpf + E-Muffenschweissung**
- **PE 100-RC schwarz**

| Dimension | Code           | Detail              | Gewicht |
|-----------|----------------|---------------------|---------|
| 180       | 70.068.0180.11 | 180X16,4 SDR11 PN16 | 4.57    |

|        | Einheit | Nominale | Tol+ | Tol- |
|--------|---------|----------|------|------|
| da(OD) | mm      | 180      | 1.10 | 0.00 |
| L3     | mm      | 109      | 6.00 | 6.00 |
| r      | mm      | 180      | 0.00 | 0.00 |
| s      | mm      | 16,4     | 1.80 | 0.00 |
| z      | mm      | 285      | 7.50 | 7.50 |