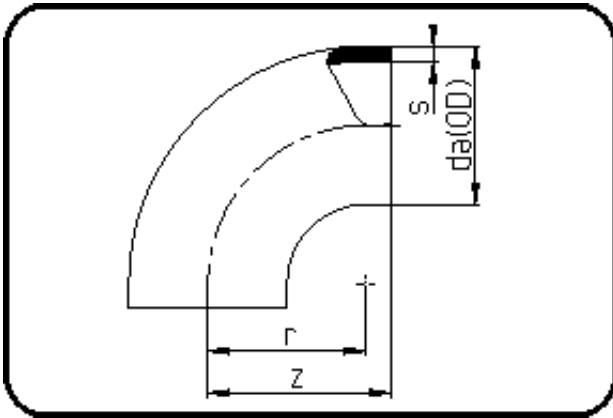


## Kurzschenkelige Fittings



Code: 001

- Bogen 90°
- kurze Schenkel
- formgespritzt
- **Stumpfschweissung**
- **PE 100-RC schwarz**

| Dimension | Code           | Detail                 | Gewicht |
|-----------|----------------|------------------------|---------|
| 110       | 70.001.0110.11 | 110X10,0 SDR11 ISO S-5 | 0.63    |

|        | Einheit | Nominale | Tol+  | Tol- |
|--------|---------|----------|-------|------|
| da(OD) | mm      | 110      | 1.00  | 0.00 |
| r      | mm      | 110      | -0.50 | 6.00 |
| s      | mm      | 10       | 1.10  | 0.00 |
| z      | mm      | 124      | 3.00  | 3.00 |